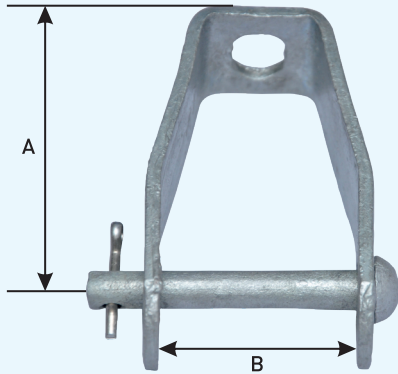


# Insulated Crossarm Clevises

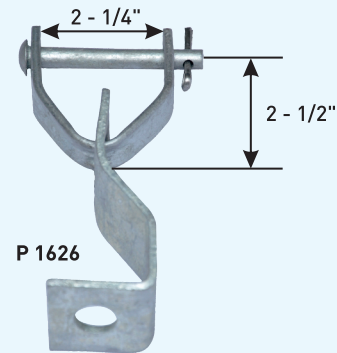
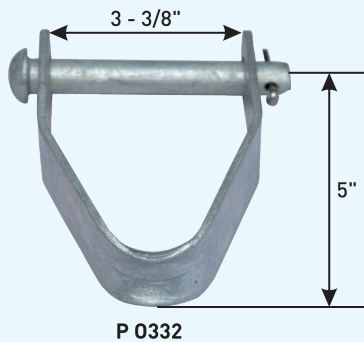
Clevises



- P0313 and P0342 clevises are used on the ends of single bracket bolts.
- For use with insulator #'s P53-1, P53-2 and P53-3 Catalog numbers do not include insulators.
- P0344 is used on the Clevis that will hold P53-5G insulator
- HDG as per ASTM A153

| Catalog # | A<br>(inches) | B<br>(inches) | Hole Size<br>(inches)<br>D | Approx.<br>Ship Wt.<br>(lb Per 100 pcs) | Std. Pkg.<br>Qty. |
|-----------|---------------|---------------|----------------------------|---|-------------------|
| P 0313    | 4 - 3/16      | 2 - 3/8       | 1/2                        | 118                                     | 50                |
| P 0342    | 5             | 3 - 3/8       | 5/8                        | 160                                     | 25                |
| P 0344    | 5 - 3/4       | 4 - 1/4       | 5/8                        | 244                                     | 20                |

# Insulated Swinging Clevises



| Catalog # | Approx.<br>Ship Wt.<br>(lb Per 100 pcs) | Std. Pkg.<br>Qty. |
|-----------|---|-------------------|
| P 0322    | 160                                     | 25                |
| P 1626    | 95                                      | 50                |

P 0322 is for use with insulators No. P53-4, P53-3, P53-2

P 1626 is for use with insulators No. P53-1

HDG as per ASTM A153

