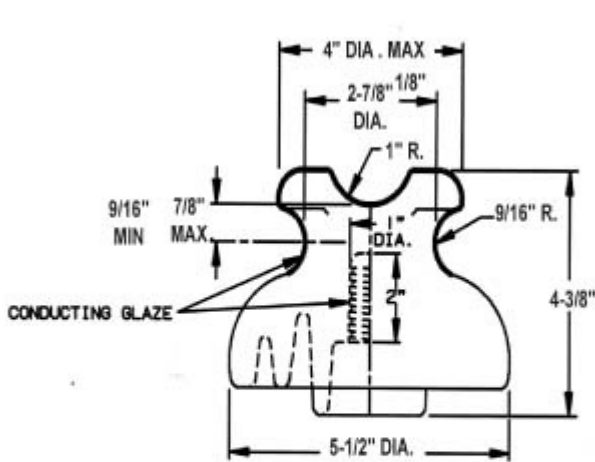
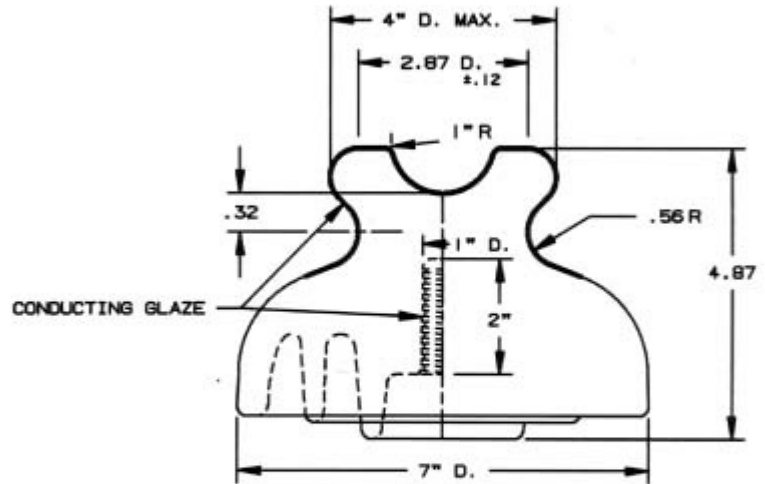


## Low Voltage Pin- Type Insulators



**P554GR**  
ANSI 55-4



**P555GR**  
ANSI 55-5

Catalog Number ANSI Class	P554GR 55 - 4	P555GR 55 - 5
<b>Dimensions (In.)</b>		
Pin Hole Diameter	1	1
Recommended Pin Length	5	6
Leakage Distance	9	12
<b>Mechanical Values (Ultimate)*</b>		
Cantilever Strength (lbs.)	3,000	3,000
<b>Electrical Values (kV)</b>		
Typical Voltage Class	13.5	15
Low Frequency Dry Flashover	65	80
Low Frequency Wet Flashover	35	45
Impulse Flashover, Positive	105	130
Impulse Flashover, Negative	130	150
Low Frequency Puncture Voltage	95	115
<b>Radio Influence Voltage Data</b>		
Test Voltage, RMS to Ground (kV)	10	15
Maximum RIV at 1000 kHz (kV)	50	100
<b>Packing &amp; Shipping Data</b>		
Net Weight Each (lbs.)	3.5	5.5
Packed Weight Each (lbs.)	3.67	7.33
Standard Package Quantity	18	6

\*RUS ACCEPTED

\*Maximum Recommended Working Load = 40% of Cantilever Rating.  
GR = Gray Glaze, Radio-Treated



**POWERLINE HARDWARE**

245 North Lane Avenue  
Jacksonville, Florida 32254  
Phone: 904-695-9880  
Fax: 904-695-9717

Website: [www.powerlinehardware.com](http://www.powerlinehardware.com)