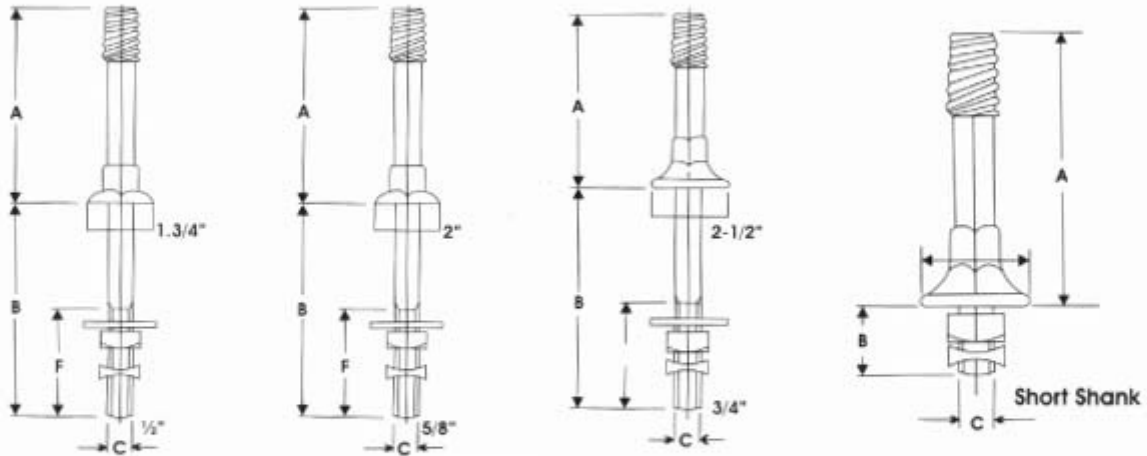


Low Voltage Forged Steel Pins

Hot Dip Galvanized



Catalog #	Shank (C) Diameter (Inches)	Height (A) Above Arm (Inches)	Shank (B) Length (Inches)	Thread (F) Length (Inches)	Approx. Ship Wt. (Per 100 pcs)	Std. Pkg. Qty.
P 200	1/2	5	5 - 1/2	2 - 1/2	136	50
*P 203	5/8	5	5 - 3/4	2 - 3/4	180	40
P 204	5/8	5	6 - 1/2	3	190	40
P 206	5/8	6	5 - 3/4	2 - 3/4	196	40
P 207	5/8	6	6 - 1/2	3	204	25
P 211	3/4	6	6 - 1/2	3 - 1/4	284	25

Catalog #	Shank (C) Diameter (Inches)	Height (A) Above Arm (Inches)	Shank (B) Length (Inches)	Thread (F) Length (Inches)	Approx. Ship Wt. (Per 100 pcs)	Std. Pkg. Qty.
Short Shank						
P 220	1/2	5	1 - 1/4	1 - 3/4	100	50
P 221	5/8	5	1 - 1/2	2	130	40
P 222	5/8	6	1 - 1/2	2	132	40
P 224	3/4	6	1 - 3/4	2 - 1/2	200	25

Pins are made with 1" cast lead threads for low voltage insulators. Furnished with a washer, a square nut and a M-F locknut. Short shank pins come with a square nut and a M-F locknut.

*RUS ACCEPTED



POWERLINE HARDWARE

245 North Lane Avenue
Jacksonville, Florida 32254

Phone: 904-695-9880

Fax: 904-695-9717

Website: www.powerlinehardware.com