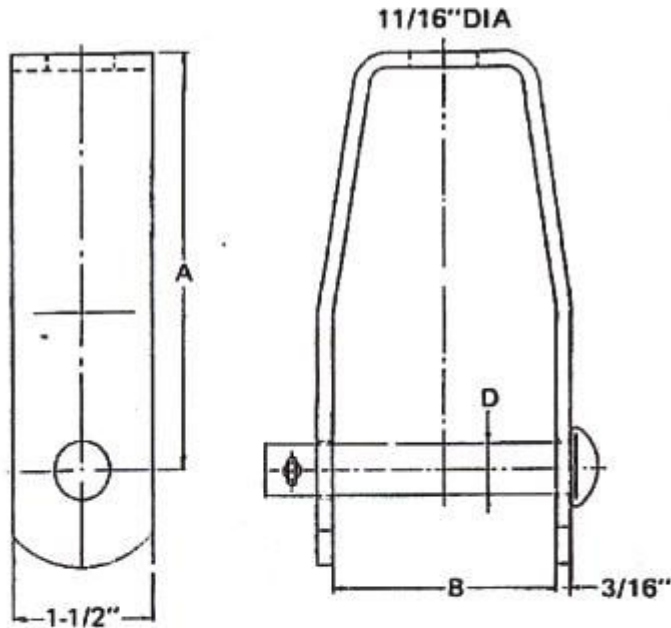


Insulated Crossarm Clevises

Hot Dip Galvanized



P0313 and P0342 clevises are used on the ends of single bracket bolts. For use with insulator #'s P531, P532 and P533.

Catalog numbers do not include insulators.

Catalog #	A (Inches)	B (Inches)	D (Inches)	Approx. Ship Wt. (per 100 pcs)	Std. Pkg. Qty.
P0313	4-3/16	2-3/8	1/2	118	50
P0342	5	2-3/8	5/8	160	25



POWERLINE HARDWARE

245 North Lane Avenue
Jacksonville, Florida 32254

Phone: 904-695-9880

Fax: 904-695-9717

Website: www.powerlinehardware.com