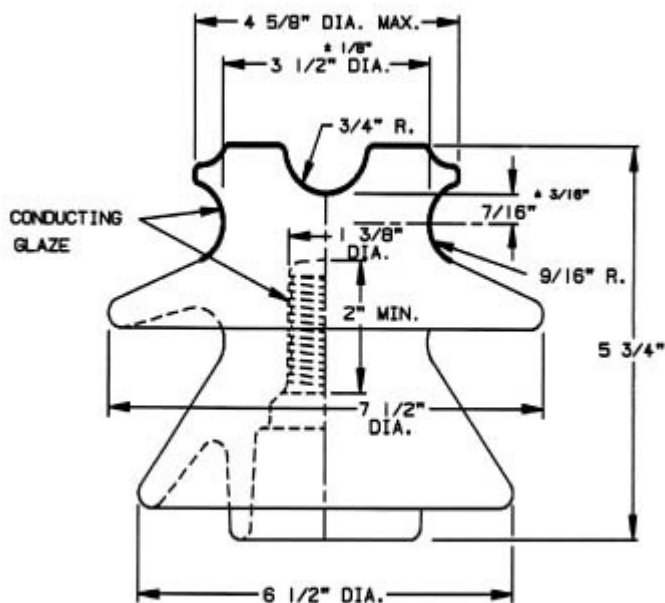
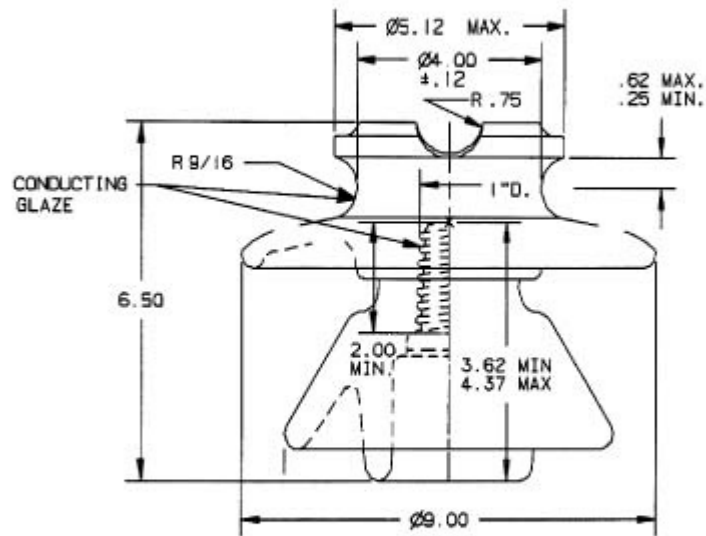


# High Voltage Pin- Type Insulators



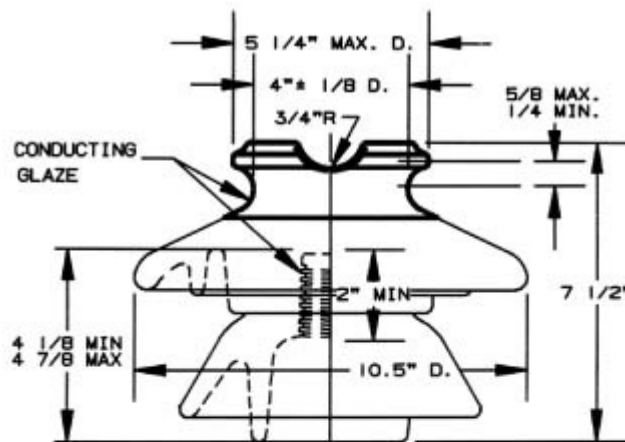
**P561GR  
ANSI 56-1**



**P562GR  
ANSI 56-2**

**Specification - ANSI C29.6**

Catalog Number ANSI Class	P561G. 56 - 1	P562G 56 - 2	P563G 56 - 3
<b>Dimensions (In.)</b>			
Leakage Distance	13	17	21
Dry Arcing Distance	7	8 - 1/4	9 - 1/2
Minimum Pin Height	6	7	8
<b>Mechanical Values (Ultimate)*</b>			
Cantilever Strength (lbs.)	2,500	3,000	3,000
<b>Electrical Values (kV)</b>			
Typical Voltage Class	23	23	34.5
Low Frequency Dry Flashover	95	110	125
Low Frequency Wet Flashover	60	70	80
Impulse Flashover, Positive	150	175	200
Impulse Flashover, Negative	190	225	265
Low Frequency Puncture Voltage	130	145	165
<b>Radio Influence Voltage Data</b>			
Test Voltage, RMS to Ground (kV)	15	22	30
Maximum RIV at 1000 kHz (mV)	100	100	200
<b>Packing &amp; Shipping Data</b>			
Net Weight Each (lbs.)	7	9.5	15
Packed Weight Each (lbs.)	8.8	12.5	19
Standard Package Quantity	6	4	3



**P563GR  
ANSI 56-3**

\*RUS ACCEPTED

\*Maximum Recommended Working Load = 40% of Cantilever Rating  
GR = Gray Glaze, Radio-Treated  
Standard 1-3/8" Diameter Threads



**POWERLINE HARDWARE**

245 North Lane Avenue  
Jacksonville, Florida 32254

Phone: 904-695-9880

Fax: 904-695-9717

Website: [www.powerlinehardware.com](http://www.powerlinehardware.com)