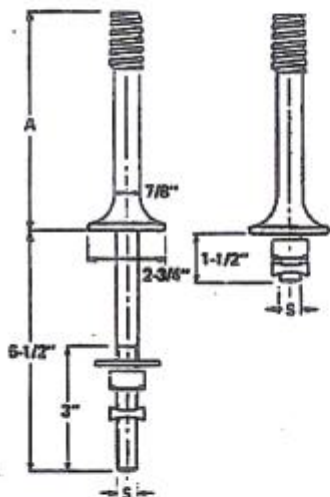


# High Voltage Forged Steel Pins

Hot Dip Galvanized

Pins are forged with cast lead threads for high voltage insulators. Long shank pins are furnished with a washer, a square nut and a M-F locknut. Short shank pins come with a square nut and a M-F locknut.

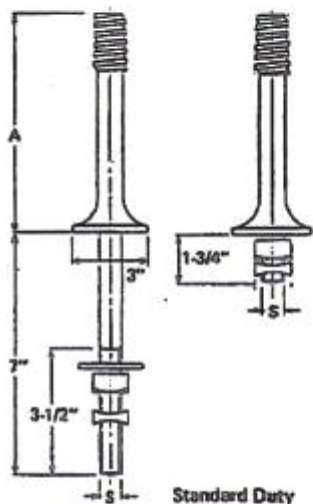


Catalog #	Shank (S) Diameter (Inches)	Height (A) Above Arm (Inches)	Approx. Ship Wt. (per 100 pcs)	Std Pkg. Qty
-----------	-----------------------------------	-------------------------------------	--------------------------------------	-----------------

For Insulators with standard 1" threaded Pin Hole.

### Long Shank

P626	5/8	6	240	20
P606	3/4	6	292	20



Catalog #	Shank (S) Diameter (Inches)	Height (A) Above Arm (Inches)	Approx. Ship Wt. (per 100 pcs)	Std Pkg. Qty
-----------	-----------------------------------	-------------------------------------	--------------------------------------	-----------------

For Insulators with standard 1-3/8" threaded Pin Hole.

### Standard Long Shank

*647	5/8	7	440	12
------	-----	---	-----	----

### Standard Short Shank

P631	3/4	8	380	20
------	-----	---	-----	----

\*RUS ACCEPTED



POWERLINE HARDWARE

245 North Lane Avenue  
Jacksonville, Florida 32254

Phone: 904-695-9880

Fax: 904-695-9717

Website: [www.powerlinehardware.com](http://www.powerlinehardware.com)