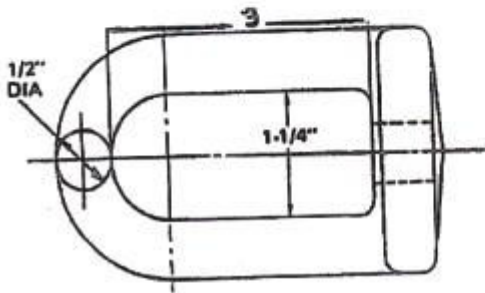
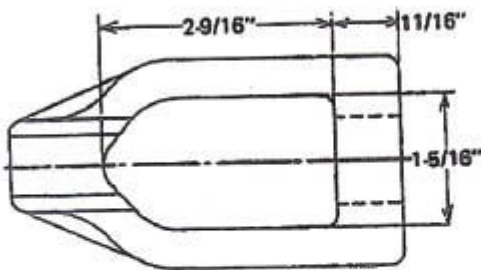


Forged Eyelets

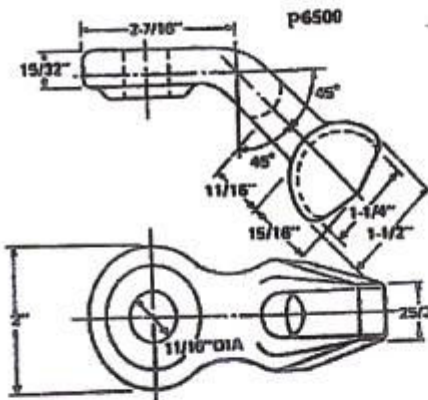
Hot Dip Galvanized



Catalog #	Bolt Diameter (Inches)	Slot Size (Inches)	Approx. Ship Wt. (per 100 pcs)	Std Pkg Qty
Standard Eyelets				
P1126	5/8	11/16 x 1-1/8	92	50
P1127	3/4	13/16 x 1-1/8	95	50



Catalog #	Bolt Diameter (Inches)	Max Strand Size (Inches)	Approx. Ship Wt. (per 100 pcs)	Std. Qty.
Straight Thimble Eyelets				
P6550C	5/8	5/8	136	50



Catalog #	Bolt Diameter (Inches)	Max Strand Size (Inches)	Approx. Ship Wt. (per 100 pcs)	Std. Qty.
Angle Thimble Eyelets				
P6500	5/8	1/2	97	50



POWERLINE HARDWARE

245 North Lane Avenue
Jacksonville, Florida 32254

Phone: 904-695-9880

Fax: 904-695-9717

Website: www.powerlinehardware.com