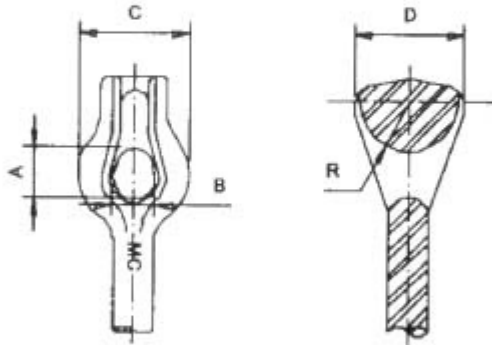


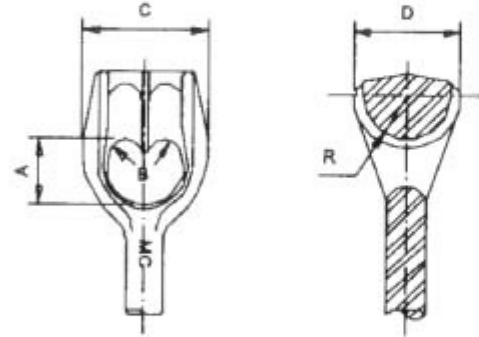
Forged Anchor Rods

Hot Dip Galvanized

Thimbleye Anchor



Twineye Anchor



Rod Size Diameter (Inch)	Thimbleye					Twineye				
	A	B	C	D	R	A	B	C	D	R
5/8	11/16	9/16	1½	1 - 11/16	11/16	15/16	1/4	1 - 13/16	1 - 23/64	11/16
3/4	13/16	11/16	1-5/8	1 - 7/8	3/4	1	1/4	1 - 31/32	1 - 5/8	11/16

Catalog #	Rod Diameter (Inches × Length / Ft)	Min. Ultimate Strength (Pounds)	Approx. Ship Wt. (Per 100 pcs)	Std Pkg. Qty
Thimbleye 5/8 and 3/4				
P7416	5/8 × 6	16,000	640	10/100
P7417	5/8 × 7	16,000	750	10/100
P7418	5/8 × 8	16,000	800	5/60
P7426	3/4 × 6	23,000	980	10/100
P7427	3/4 × 7	23,000	1100	10/100
P7428	3/4 × 8	23,000	1216	5/80
Twineye 5/8 and 3/4				
P7516	5/8 × 6	16,000	650	10/100
P7517	5/8 × 7	16,000	800	10/100
P7518	5/8 × 8	16,000	840	5/80
P7526	3/4 × 6	23,000	1012	10/100
P7527	3/4 × 7	23,000	1120	10/100
P7528	3/4 × 8	23,000	1300	5/80



POWERLINE HARDWARE

245 North Lane Avenue
Jacksonville, Florida 32254

Phone: 904-695-9880

Fax: 904-695-9717

Website: www.powerlinehardware.com